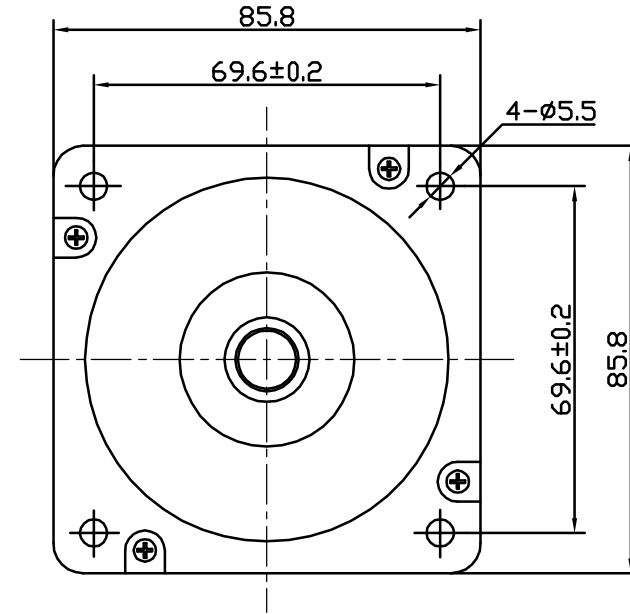
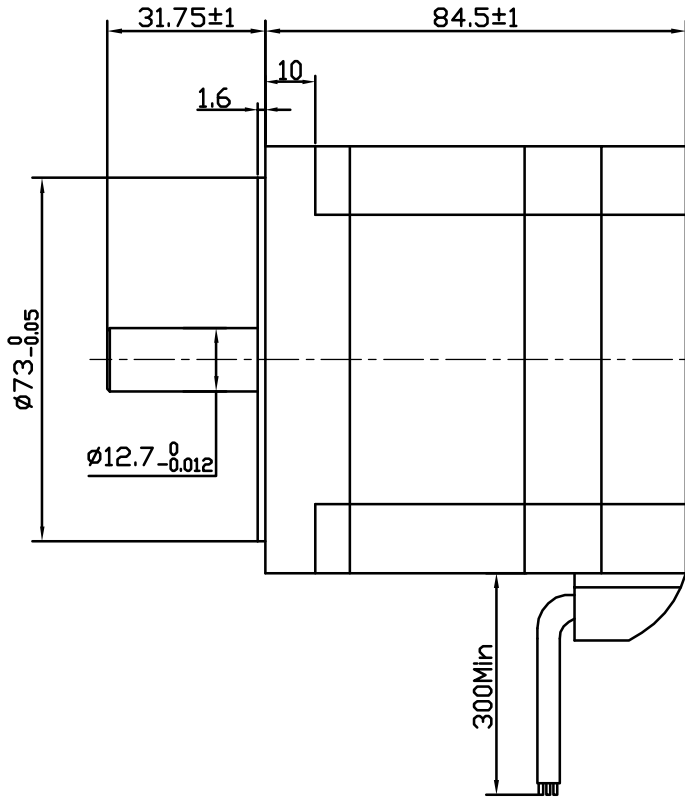


Dimension:
Unit=mm

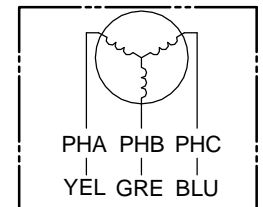
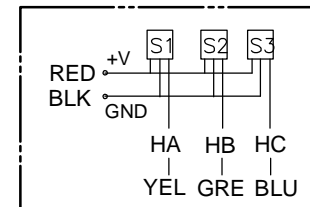


ROTATION: CW SEE FROM LEAD END

| | |
|--------------------------|----------------|
| MANUFACTURER MODEL | JK86BLS71-X001 |
| NUMBER OF POLES | 8 |
| PHASE TO PHASERESISTANCE | 0.32 OHMS |
| NOMINAL VOLTAGE | 48 VDC |
| NO LOAD SPEED | 3700±10% RPM |
| NO LOAD CURRENT | 1.5 Amps Max. |
| RATED TORQUE | 0.7 N-m |
| RATED SPEED | 3000±10% RPM |
| OUTPUT POWER | 220 W |
| BACK EMF CONSTANT | 13 V/kRPM |
| TORQUE CONSTANT | 0.124 N-m/A |
| INSULATION CLASS | B |

| | | | |
|---------|-----|---|------------------|
| +5V | RED | 红 | UL1007 26 AWG |
| HALL U | YEL | 黄 | |
| HALL V | GRE | 绿 | |
| HALL W | BLU | 蓝 | |
| GND | GND | 黑 | UL1015 18 AWG |
| PHASE U | YEL | 黄 | |
| PHASE V | GRE | 绿 | |
| PHASE W | BLU | 蓝 | |

Connection diagram:



Hall sensor cable

Wiring cable

Note: hall sensor power supply voltage +5 to +20VDC

| | | | | |
|--------|------|-----|-------|------|
| REV. | QTY. | No. | SIG. | DATE |
| DESIGN | | | STD. | |
| CHECK | | | | |
| PROC. | | | APPR. | |

| | | | | | |
|---------------|--------|-------|--------------------|--|--|
| Title: | | | 常州精控电机电器有限公司 | | |
| Specification | | | JK86BLS71-X001 | | |
| CLS.MAK | WEIGHT | SCALE | www.jkongmotor.com | | |
| PAGE: 1/1 | | | | | |