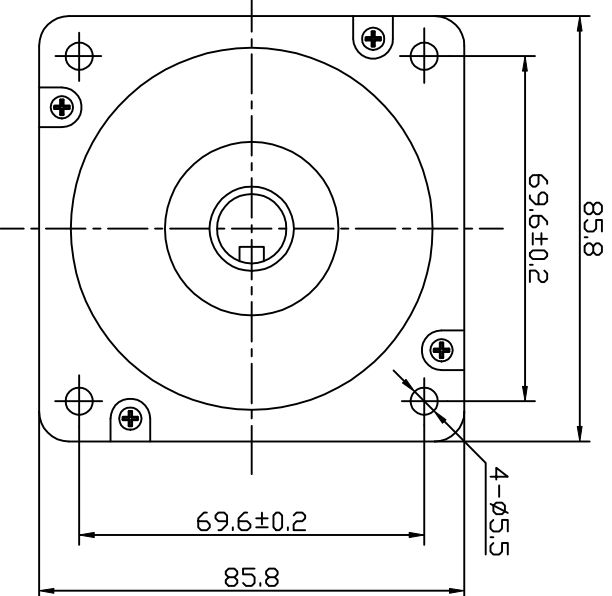
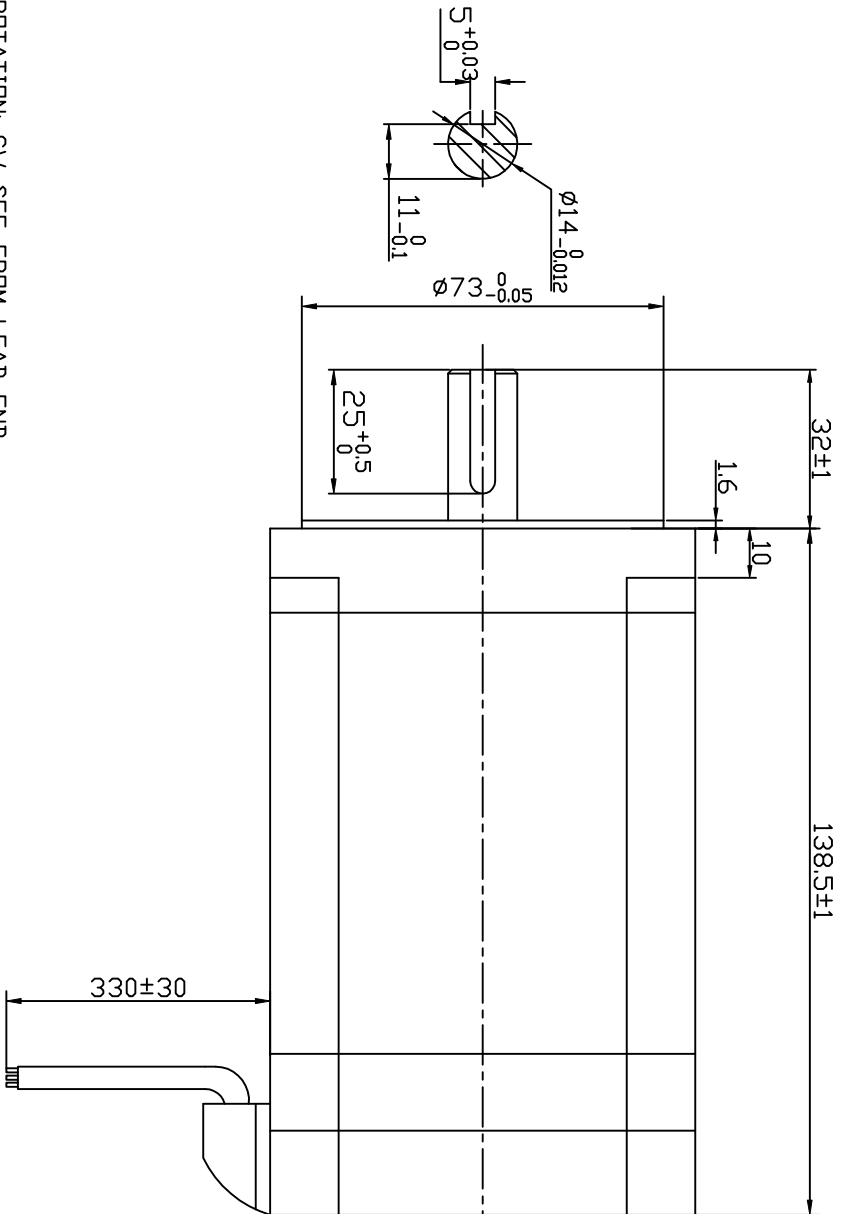
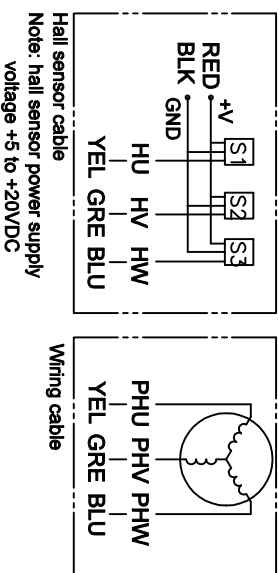


Dimension:  
Unit:mm



Connection diagram:



ROTATION: CW SEE FROM LEAD END

MANUFACTURER MODEL	JK86BL125-X015
NUMBER OF POLES	8
PHASE TO PHASERESISTANCE	0.13 OHMS
NOMINAL VOLTAGE	48 VDC
NO LOAD SPEED	3700±10% RPM
NO LOAD CURRENT	2.8 Amps Max.
RATED TORQUE	2.1 N-m
RATED SPEED	3000±10% RPM
OUTPUT POWER	660 W
BACK EMF CONSTANT	13 V/KRPM
TORQUE CONSTANT	0.124 N-m/A
INSULATION CLASS	B

ELECTRICAL CONNECTION TABLE

+5V	RED	红	UL1007 26 AWG
HALL U	YEL	黄	
HALL V	GRE	绿	AF 1.5
HALL W	BLU	蓝	
GND	GND	黑	
PHASE U	YEL	黄	
PHASE V	GRE	绿	
PHASE W	BLU	蓝	

REV. QTY.	No.	SIG.	DATE
DESIGN CCY	19.01.09	STD.	
CHECK			
PROC.		APPR.	

Title:

Specification

CLS.MAK	WEIGHT	SCALE

常州精控电机电器有限公司

JK86BL125-X015

PAGE: 1/1

www.jkongmotor.com