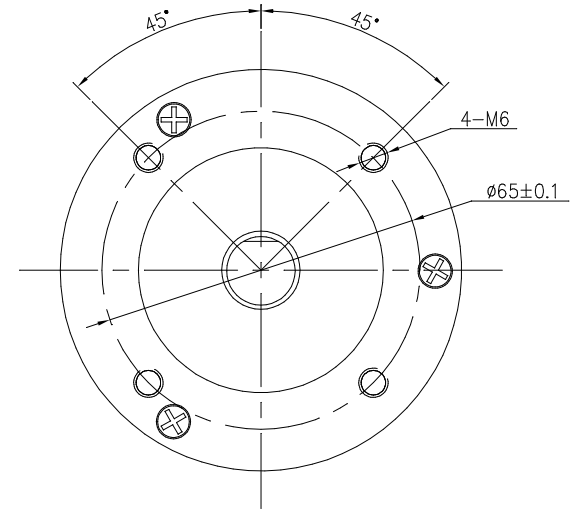
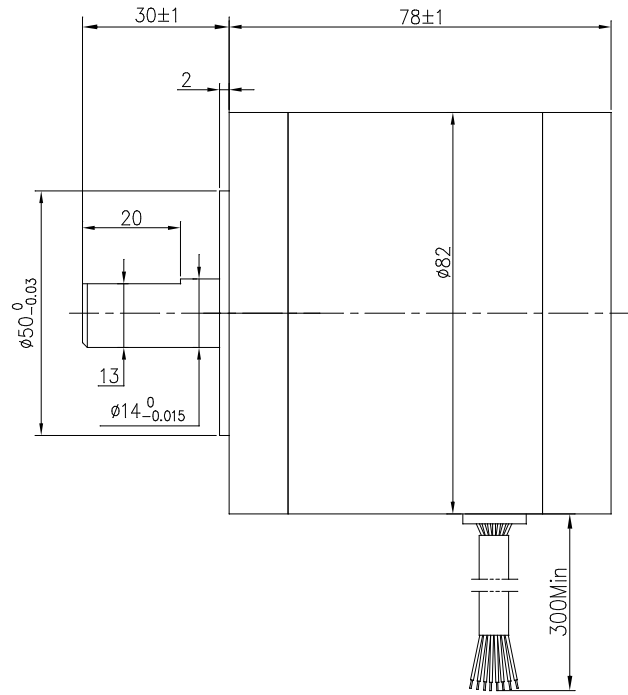
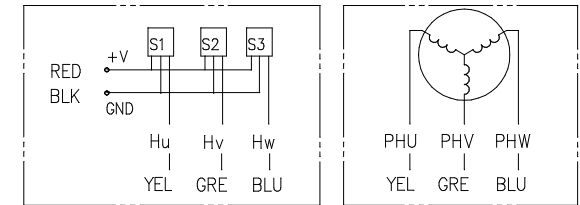


Dimension:
Unit=mm



Connection diagram:



Hall sensor cable

Wiring cable

Note: hall sensor power supply
voltage +5 to +20VDC

ROTATION: CCW SEE FROM LEAD END

MANUFACTURER MODEL	JK80BLS01
NUMBER OF POLES	4
PHASE TO PHASE RESISTANCE	1.2 OHMS
NOMINAL VOLTAGE	48 VDC
NO LOAD SPEED	3600±10% RPM
NO LOAD CURRENT	0.8 Amps Max.
RATED TORQUE	0.35 N-m
RATED SPEED	3000±10% RPM
OUTPUT POWER	110 W
BACK EMF CONSTANT	13.5 V/kRPM
TORQUE CONSTANT	0.13 N-m/A
INSULATION CLASS	B

ELECTRICAL CONNECTION TABLE			
+5V	RED	红	UL1007 26 AWG
HALL U	YEL	黄	
HALL V	GRE	绿	
HALL W	BLU	蓝	
GND	BLK	黑	UL1015 18 AWG
PHASE U	YEL	黄	
PHASE V	GRE	绿	
PHASE W	BLU	蓝	

REV.	QTY.	No.	SIG.	DATE
DESIGN	WH	20.01.07	STD.	
CHECK				
PROC.			APPR.	

Title:			常州精控电机电器有限公司		
Specification			JK80BLS01		
CLS.MAK	WEIGHT	SCALE	www.jkongmotor.com		
PAGE:		1/1			