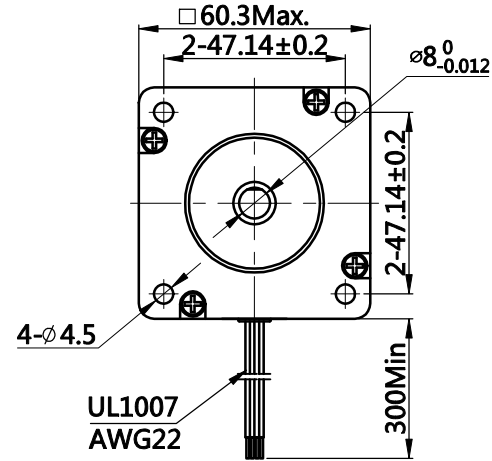
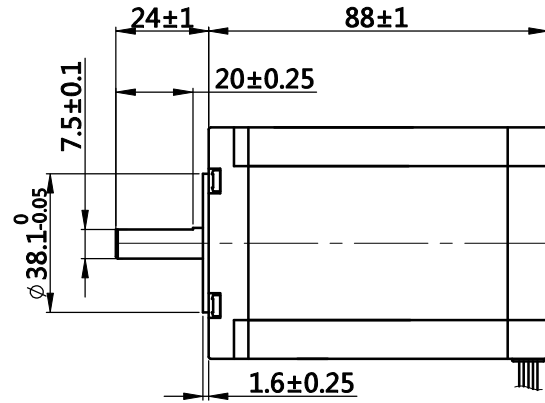
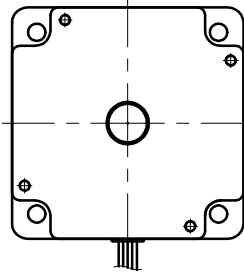
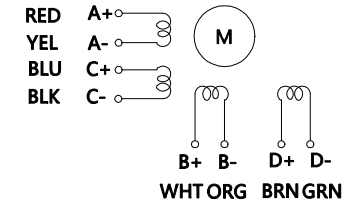


# HYBRID STEPPING MOTOR SPECIFICATION

DIMENSIONS unit=mm



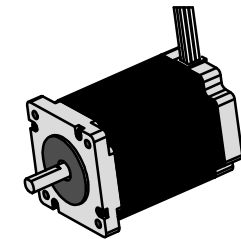
## Wiring Diagram



## Exciting Sequence vs. Direction of Rotation

STEP	A	B	C	D	
1	+	+	-	-	↑ CCW ↓ CW
2	-	+	+	-	
3	-	-	+	+	
4	+	-	-	+	

Clockwise view from mounting side



1、 Number of Phase	4		
2、 Step Angle	1.8° deg.		
3、 Wiring	PARALLEL	UNIPOLAR	SERIES
4、 Rated Voltage	4.2 V	6 V	8.4 V
5、 Rated Current/Phase	2.8 A	2 A	1.4 A
6、 Phase Resistance	1.5 Ω	3 Ω	6 Ω
7、 Phase Inductance	6.8 mH	6.8 mH	27.2 mH
8、 Holding Torque	31 kg.cm	22 kg.cm	31 kg.cm
9、 Insulation Class	B ( 130° ); 80K Max.		
10、 Weight			
<b>Specifications</b>			

REV.	REVISION RECORD		DATE
	DESIGN	成兆茹 2020.6.30	
	STANDARD		www.jkongmotor.com
	TECHNOLOGY		<b>Specification</b>
	CHECK		
	APPROVE		

TITLE	STEPPING MOTOR				
DWG.NO.	JK60HS88-2008				
MATERIAL		ECN SIGN	※	SIZE	A4
REV.	A	SCALE	1:2	SHEET	1 of 1