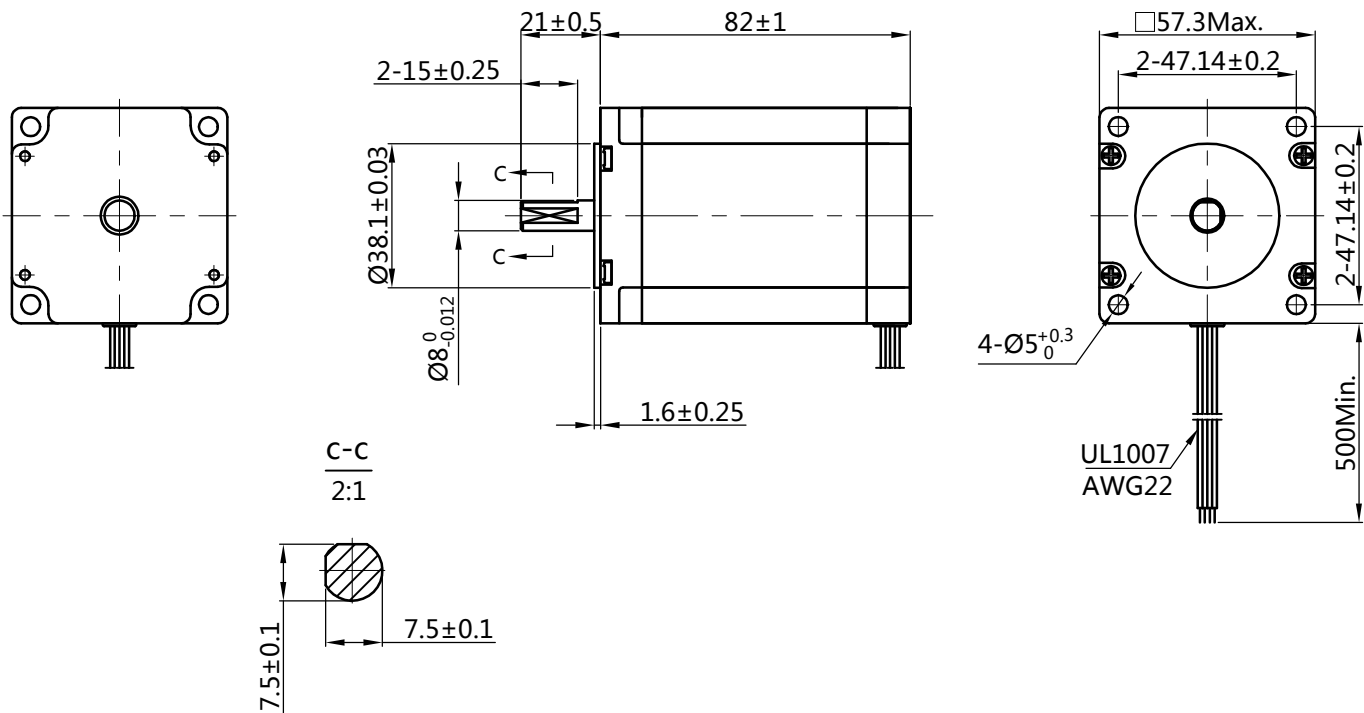
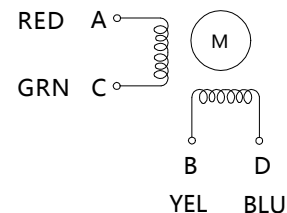


# HYBRID STEPPING MOTOR SPECIFICATION

DIMENSIONS unit=mm



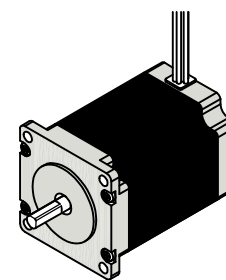
## Wiring Diagram



## Exciting Sequence vs. Direction of Rotation

STEP	A	B	C	D	
1	+	+	-	-	↓ CW ↑ CCW
2	-	+	+	-	
3	-	-	+	+	
4	+	-	-	+	

Clockwise view from mounting side



1、 Number of Phase	2				
2、 Step Angle	1.8° deg.				
3、 Rated Voltage	3.6 V				
4、 Rated Current/Phase	3 A ( Peak Value )				
5、 Phase Resistance	1.2 Ω±10%(20°C)				
6、 Phase Inductance	4 mH±20%(1kHz 1V RMS)				
7、 Holding Torque	21 Kg.cm				
8、 Insulation Class	B ( 130° ) ; 80K Max.				
9、 Weight	1.2 kg				
<b>Specifications</b>		<b>Comment</b>			

REV.	REVISION RECORD		DATE
	DESIGN	YY 2020.06.29	
	STANDARD		
	TECHNOLOGY		
	CHECK		
	APPROVE		

TITLE	STEPPING MOTOR			
DWG.NO.	JK57HS82-3004			
MATERIAL	ECN SIGN	* SIZE	A4	
REV.	A	SCALE	1:2	SHEET 1 of 1

Specification

UL1007  
AWG22