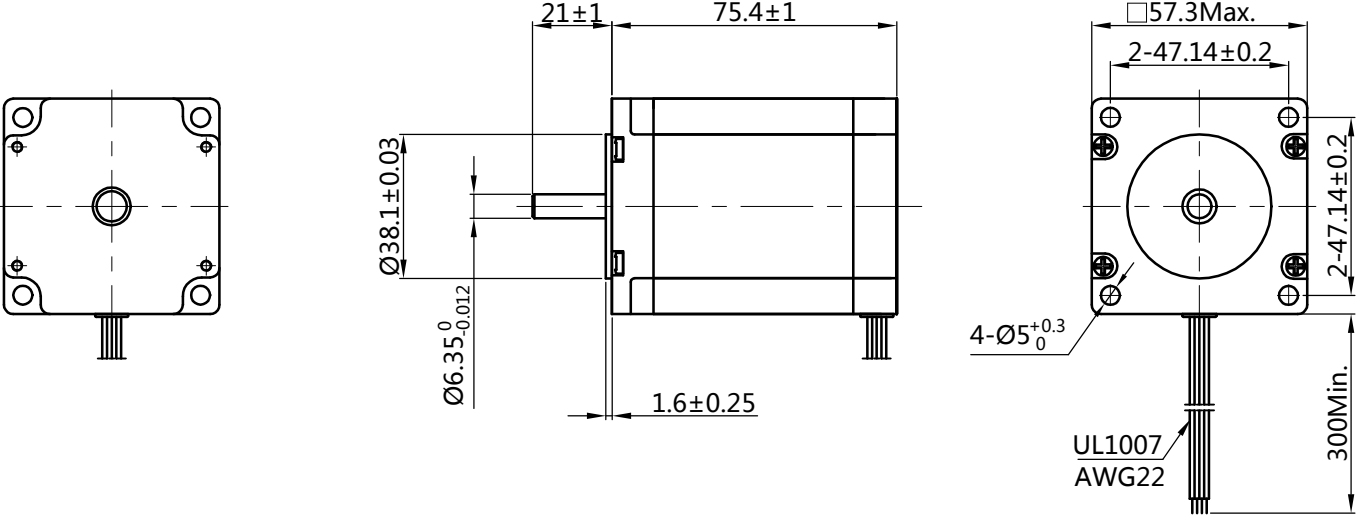
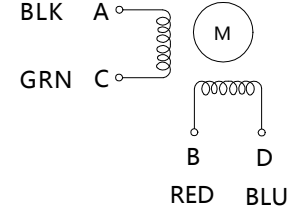


# HYBRID STEPPING MOTOR SPECIFICATION

**DIMENSIONS unit=mm**



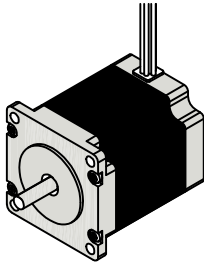
**Wiring Diagram**



**Exciting Sequence vs. Direction of Rotation**

STEP	A	B	C	D	
1	+	+	-	-	↓ CW ↑ CCW
2	-	+	+	-	
3	-	-	+	+	
4	+	-	-	+	

**Clockwise view from mounting side**



1	Number of Phase	2			
2	Step Angle	1.8° deg.			
3	Rated Voltage	3.08 V			
4	Rated Current/Phase	2.8 A ( Peak Value )			
5	Phase Resistance	1.1 Ω±10%(20°C)			
6	Phase Inductance	3.6 mH±20%(1kHz 1V RMS)			
7	Holding Torque	1.89 N.m			
8	Insulation Class	B ( 130° ) ; 80K Max.			
9	Weight	1.1 kg			
<b>Specifications</b>		<b>Comment</b>			

REV.	REVISION RECORD		DATE
DESIGN	YY 2020.06.29	www.jkongmotor.com	
STANDARD		<b>Specification</b>	
TECHNOLOGY			
CHECK			
APPROVE			

TITLE	STEPPING MOTOR			
DWG.NO.	JK57HS76-2804			
MATERIAL	ECN SIGN	✳	SIZE	A4
REV.	A	SCALE	1:2	SHEET 1 of 1