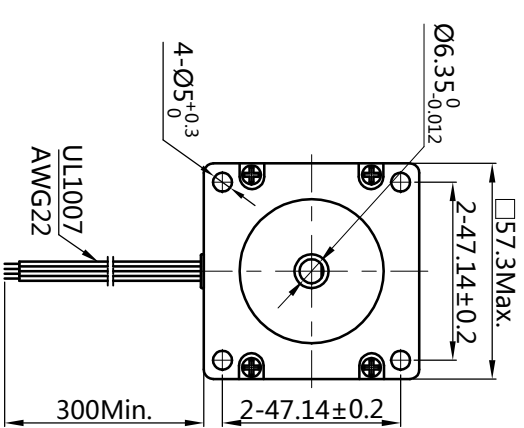
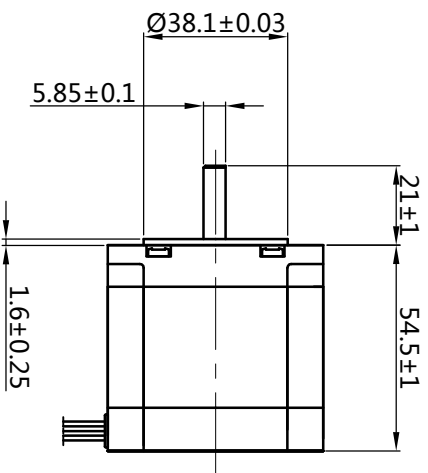
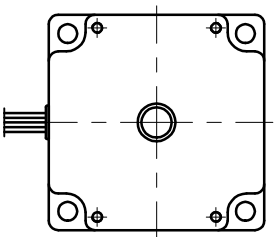
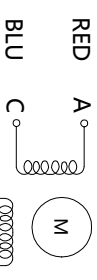


# HYBRID STEPPING MOTOR SPECIFICATION

DIMENSIONS unit=mm



## Wiring Diagram

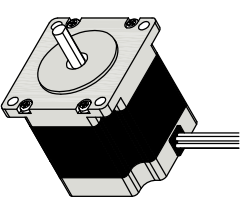


BLK GRN

## Exciting Sequence vs. Direction of Rotation

STEP	A	B	C	D	CCW
1	+	+	-	-	
2	-	+	+	+	
3	-	-	+	+	
4	+	-	-	+	

Clockwise view from mounting side



Specifications		Comment	
1. Number of Phase	2		
2. Step Angle	1.8° deg.		
3. Rated Voltage	2.5 V		
4. Rated Current/Phase	2.8 A ( Peak Value )		
5. Phase Resistance	0.9 Ω±0.1(20°C)		
6. Phase Inductance	2.5 mH±20%(1kHz-1V RMS)		
7. Holding Torque	12.6 Kg.cm		
8. Insulation Class	B ( 130° ) ; 80K Max.		
9. Weight	0.7 kg		

REVISION RECORD		DATE
DESIGN	YY	2020.06.29
STANDARD		
TECHNOLOGY		
CHECK		
APPROVE		

www.jkongmotor.com

## TITLE STEPPING MOTOR

DWG.NO. JK57HSS56-2804-03

MATERIAL	ECN SIGN	SIZE
A	SCALE 1:2	A4

SHEET 1 of 1