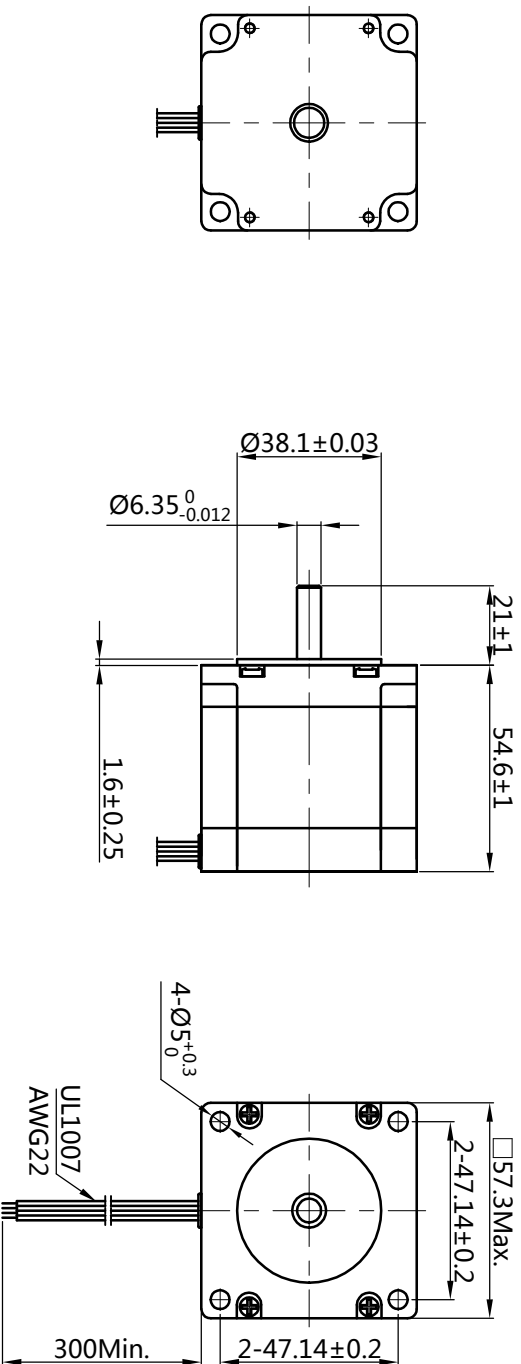
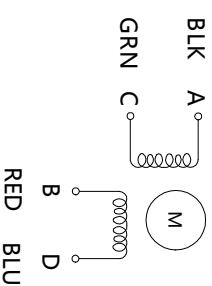


HYBRID STEPPING MOTOR SPECIFICATION

DIMENSIONS unit=mm



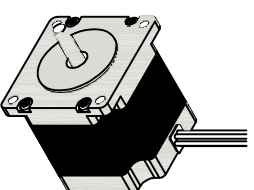
Wiring Diagram



Exciting Sequence vs. Direction of Rotation

STEP	A	B	C	D	Direction
1	+	+	-	-	Clockwise (CW)
2	-	+	+	+	
3	-	-	+	+	
4	+	-	-	+	
					Counterclockwise (CCW)

Clockwise view from mounting side



Specifications		Comment	
1. Number of Phase	2		
2. Step Angle	0.9° deg.		
3. Rated Voltage	2.52 V		
4. Rated Current/Phase	2.8 A (Peak Value)		
5. Phase Resistance	0.9 Ω±0.1(20°C)		
6. Phase Inductance	3.3 mH±20%(1kHz-1V RMS)		
7. Holding Torque	12 Kg cm		
8. Insulation Class	B (130°) ; 80K Max.		
9. Weight	0.68 kg		

REVISION RECORD		Specification	
REV.	DATE		
DESIGN	YY 2020.06.28	www.jkongmotor.com	
STANDARD			
TECHNOLOGY			
CHECK			
APPROVE			

TITLE STEPPING MOTOR

DWG.NO. JK57HMM56-2804

MATERIAL REV. A SCALE 1:2 SHEET 1 of 1