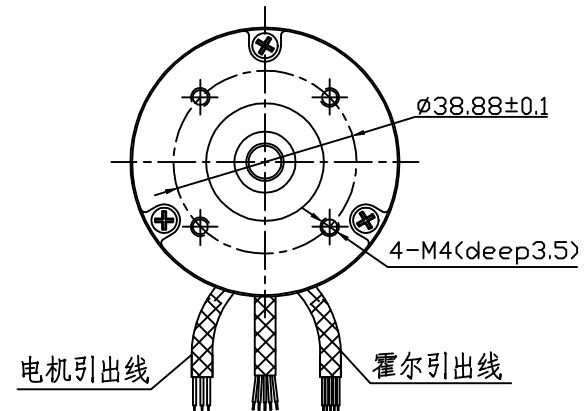
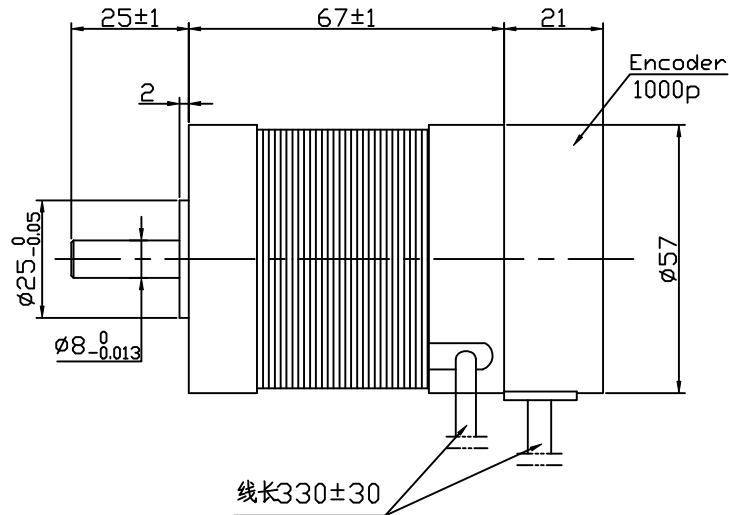


Dimension:
Unit=mm



ROTATION: CCW VIEWED FROM OUTPUT SHAFT

MANUFACTURER MODEL	JK57BLS02-X010ED
NUMBER OF POLES	4
PHASE TO PHASE RESISTANCE	0.9 OHMS
NOMINAL VOLTAGE	36 VDC
NO LOAD SPEED	4800±10% RPM
NO LOAD CURRENT	0.5 Amps Max.
RATED TORQUE	0.24 N-m
RATED SPEED	4000±10% RPM
OUTPUT POWER	100 W
BACK EMF CONSTANT	7.5 V/kRPM
TORQUE CONSTANT	0.072 N-m/A
INSULATION CLASS	B

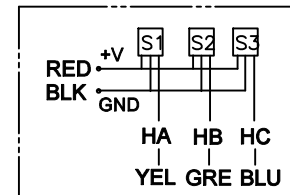
Encoder Wiring Diagram:

EA+	Encoder A phase output+	GREEN 绿
EB+	Encoder B phase output+	BLUE 蓝
EZ+	Encoder Z phase output+	YELLOW 黄
Vcc	Encoder Voltage(+5V)	RED 红
EGND	Encoder Grand(0V)	BLACK 黑

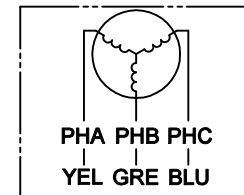
ELECTRICAL CONNECTION TABLE

+5V	RED 红	2517-26# 五芯屏蔽线
HALL U	YEL 黄	
HALL V	GRE 绿	
HALL W	BLU 蓝	
GND	GND 黑	3*0.75 三芯护套线
PHASE U	YEL 黄	
PHASE V	GRE 绿	
PHASE W	BLU 蓝	

Connection diagram:



Hall sensor cable
Note: hall sensor power supply
voltage +5 to +20VDC



Wiring cable

REV. QTY. No. SIG. DATE					Title:		常州精控电机电器有限公司
DESIGN 张宇 21.10.14 STD.					Specification		
CHECK					CLS.MAK	WEIGHT	SCALE
PROC.					PAGE: 1/1		JK57BLS02-X010ED
							www.jkongmotor.com