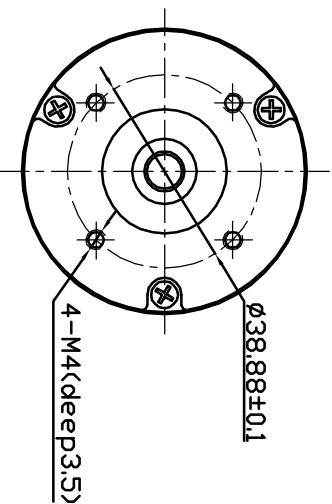
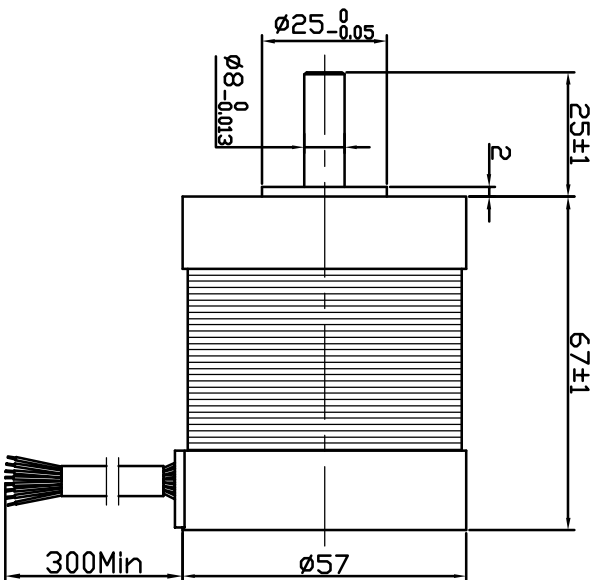
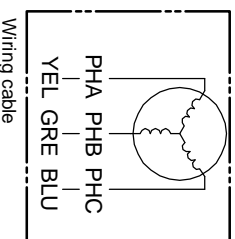
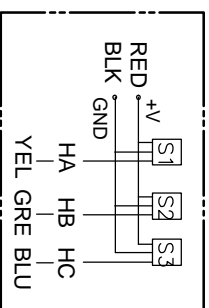


Dimension:
Unit=mm



Connection diagram:



Hall sensor cable
Note: hall sensor power supply
voltage +5 to +20VDC

ROTATION: CCW SEE FROM LEAD END	
MANUFACTURER MODEL	JK57BL502
NUMBER OF POLES	4
PHASE TO PHASE RESISTANCE	0.9 OHMS
NOMINAL VOLTAGE	36 VDC
NO LOAD SPEED	4800±10% RPM
NO LOAD CURRENT	0.5 Amps Max.
RATED TORQUE	0.22 N-m
RATED SPEED	4000±10% RPM
OUTPUT POWER	92 W
BACK EMF CONSTANT	7.5 V/KRPM
TORQUE CONSTANT	0.072 N-m/A
INSULATION CLASS	B

ELECTRICAL CONNECTION TABLE		
+5V	RED	红
HALL U	YEL	黄
HALL V	GRE	绿
HALL W	BLU	蓝
GND	GND	黑
PHASE U	YEL	黄
PHASE V	GRE	绿
PHASE W	BLU	蓝
		UL1007 26AWG
		UL1007 20AWG

REV.	QTY.	No.	SIG.	DATE
DESIGN			STD.	
CHECK				
PROC.			APPR.	

Title:

Specification

CLS.MAK WEIGHT SCALE

常州精控电机电器有限公司

JK57BL502

www.jkongmotor.com

PAGE: 1/1