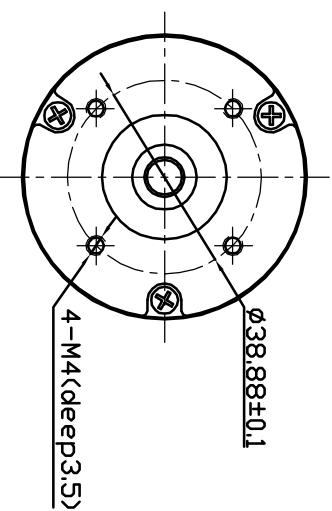
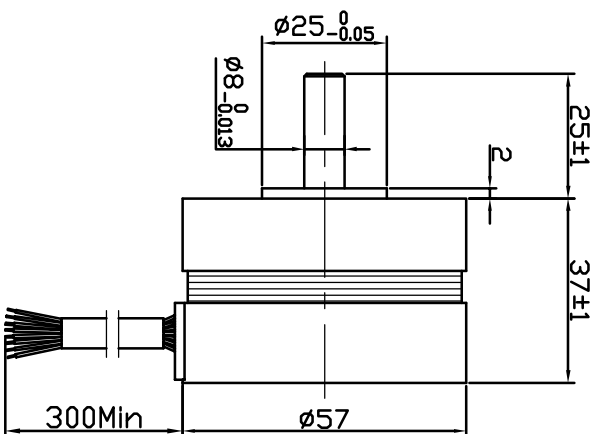
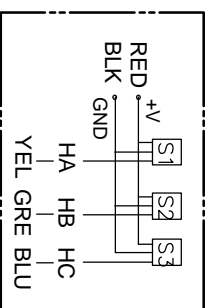


Dimension:
Unit=mm

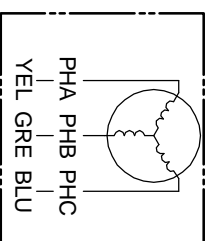


Connection diagram:



Hall sensor cable

Note: hall sensor power supply voltage +5 to +20VDC



Wiring cable

ROTATION: CCW SEE FROM LEAD END	
MANUFACTURER MODEL	JK57BL5005
NUMBER OF POLES	4
PHASE TO PHASE RESISTANCE	5.1 OHMS
NOMINAL VOLTAGE	36 VDC
NO LOAD SPEED	4800±10% RPM
NO LOAD CURRENT	0.25 Amps Max.
RATED TORQUE	0.055 N-m
RATED SPEED	4000±10% RPM
OUTPUT POWER	23 W
BACK EMF CONSTANT	7.5 V/KRPM
TORQUE CONSTANT	0.072 N-m/A
INSULATION CLASS	B

ELECTRICAL CONNECTION TABLE		
+5V	RED	红
HALL U	YEL	黄
HALL V	GRE	绿
HALL W	BLU	蓝
GND	GND	黑
PHASE U	YEL	黄
PHASE V	GRE	绿
PHASE W	BLU	蓝
		UL1007
		26AWG
		UL1007
		20AWG

REV.	QTY.	No.	SIG.	DATE
DESIGN			STD.	
CHECK				
PROC.			APPR.	

Title:

Specification

C/S: MAK WEIGHT SCALE

常州精控电机电器有限公司

JK57BL5005

www.jkongmotor.com

PAGE: 1/1