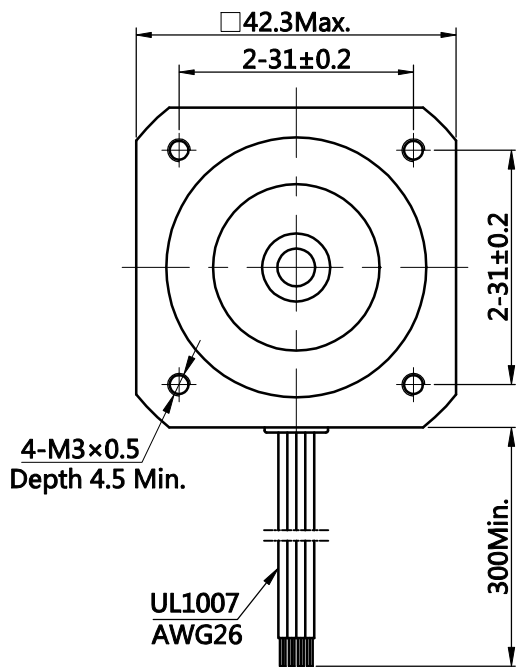
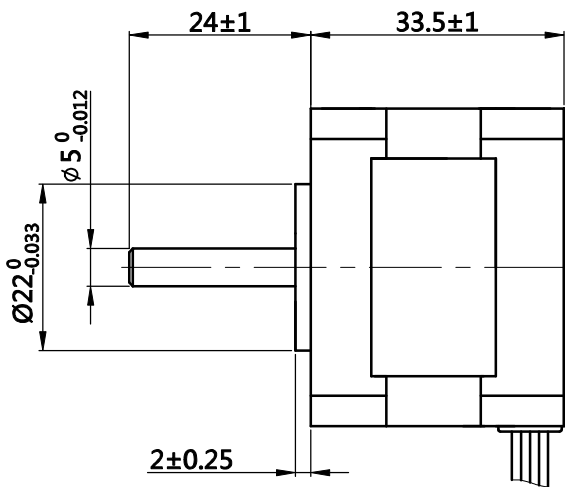
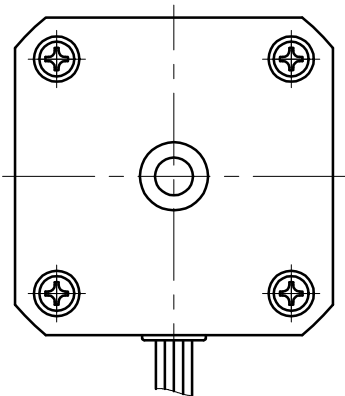
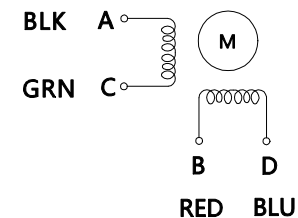


HYBRID STEPPING MOTOR SPECIFICATION

DIMENSIONS unit=mm



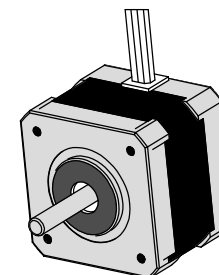
Wiring Diagram



Exciting Sequence vs. Direction of Rotation

STEP	A	B	C	D	
1	+	+	-	-	↓ CCW ↑ CW
2	-	+	+	-	
3	-	-	+	+	
4	+	-	-	+	

Clockwise view from mounting side



1	Number of Phase	2			
2	Step Angle	1.8° deg.			
3	Rated Voltage	12 V			
4	Rated Current/Phase	0.4 A (峰值 Peak Value)			
5	Phase Resistance	30 Ω±10%(20°C)			
6	Phase Inductance	35 mH±20%(1kHz 1V RMS)			
7	Holding Torque	2.8 kg.cm			
8	Insulation Class	B (130°) ; 温升 80K Max.			
9	Weight	0.22 kg			
Specifications		Comment			

REV.	REVISION RECORD	DATE
DESIGN	成兆茹 2020.6.29	
STANDARD		www.jkongmotor.com
TECHNOLOGY		
CHECK		
APPROVE		

TITLE	STEPPING MOTOR			
DWG.NO.	JK42HS34-0404			
MATERIAL	ECN SIGN	※	SIZE	A4
REV.	A	SCALE	1:2	SHEET 1 of 1

Specification