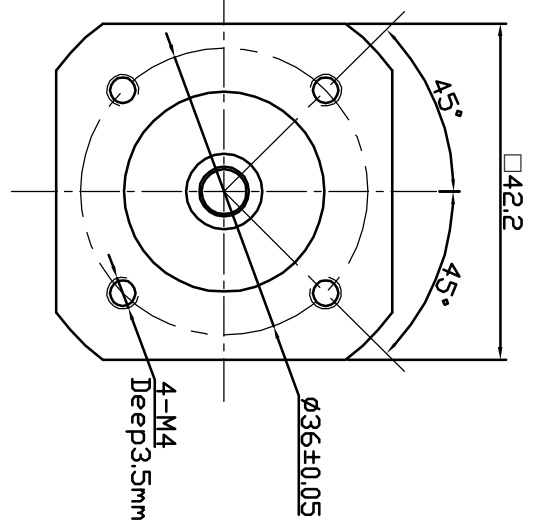
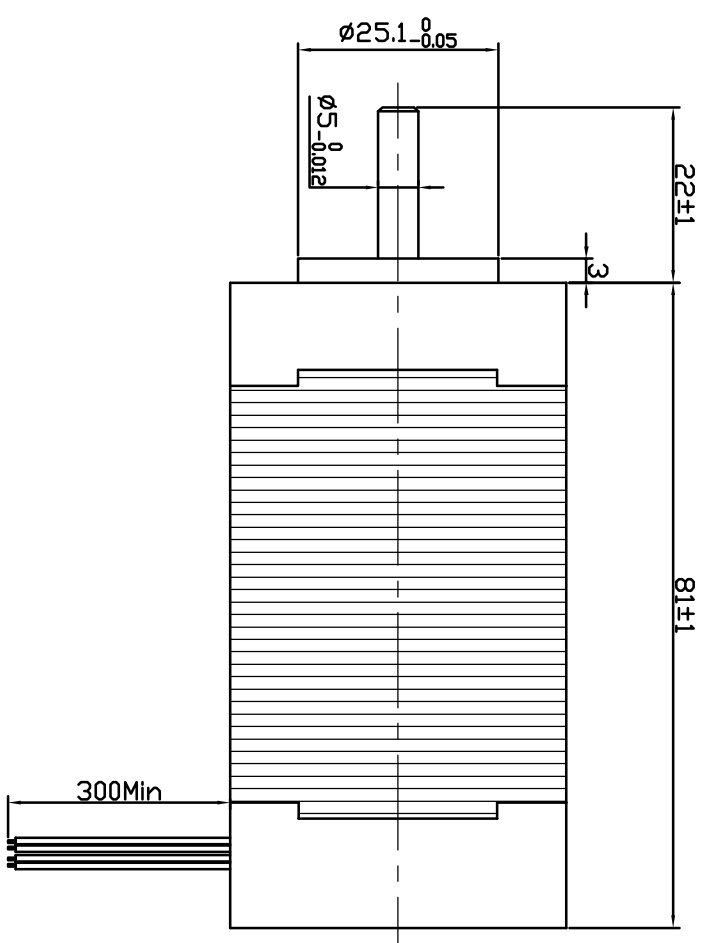
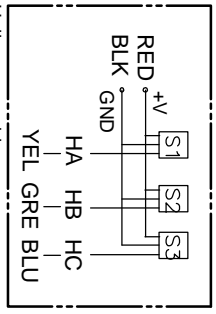


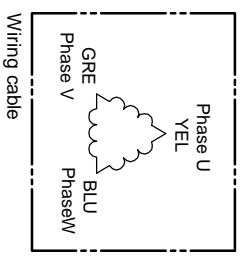
Dimension:
Unit:mm



Connection diagram:



Hall sensor cable
Note: hall sensor power supply
voltage +5 to +20VDC



ROTATION: CW SEE FROM LEAD END

MANUFACTURER MODEL	JK42BLS03
NUMBER OF POLES	8
PHASE TO PHASERESISTANCE	0.55 OHMS
NOMINAL VOLTAGE	24 VDC
NO LOAD SPEED	5800±10% RPM
NO LOAD CURRENT	0.6 Amps Max.
RATED TORQUE	0.185 N-m
RATED SPEED	4000±10% RPM
OUTPUT POWER	77.5 W
BACK EMF CONSTANT	4.1 V/KRPM
TORQUE CONSTANT	0.04 N-m/A
INSULATION CLASS	B

ELECTRICAL CONNECTION TABLE

	+5V	HALL U	HALL V	HALL W	GND	PHASE U	PHASE V	PHASE W
	RED	YEL	GRE	BLU	GND	YEL	GRE	BLU
	红	黄	绿	蓝	黑	黄	绿	蓝
			UL1007	26 AWG			UL1007	20 AWG

REV.	QTY.	No.	SIG.	DATE
DESIGN			STD.	
CHECK				
PROC.			APPR.	

Title:
常州精控电机电器有限公司

Specification

CLS.MAK WEIGHT SCALE

JK42BLS03

PAGE: 1/1
www.jkongmotor.com