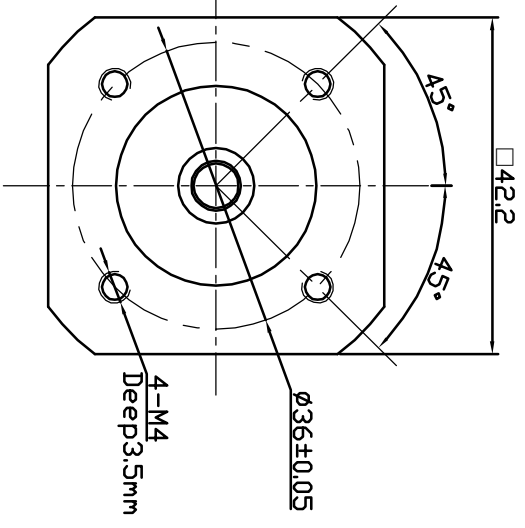
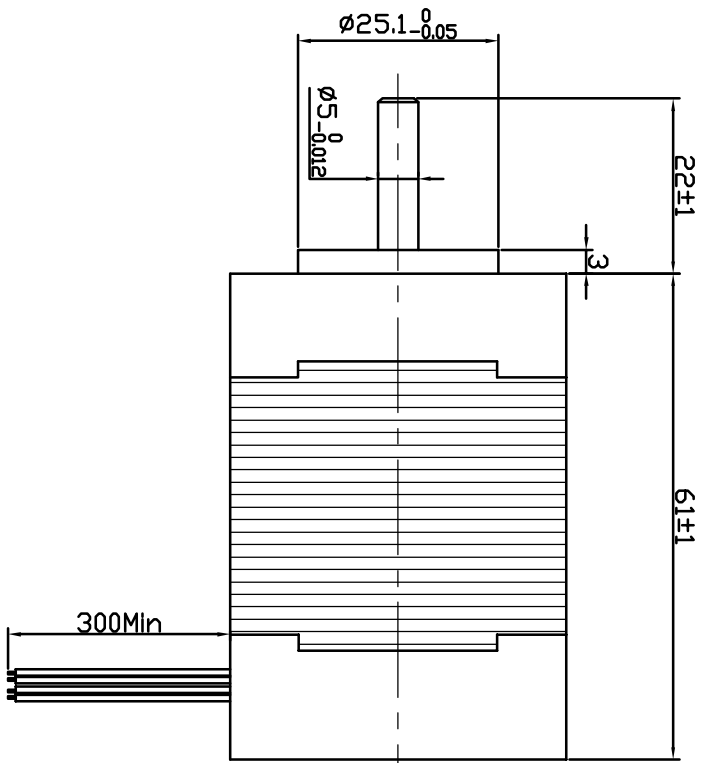
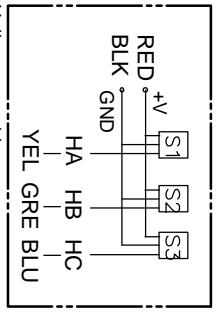


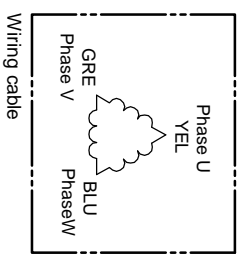
Dimension:  
Unit=mm



Connection diagram:



Hall sensor cable  
Note: hall sensor power supply  
voltage +5 to +20VDC



Wiring cable

ROTATION: CW SEE FROM LEAD END

MANUFACTURER MODEL	JK42BL S02
NUMBER OF POLES	8
PHASE TO PHASERESISTANCE	0.73 OHMS
NOMINAL VOLTAGE	24 VDC
NO LOAD SPEED	5800±10% RPM
NO LOAD CURRENT	0.45 Amps Max.
RATED TORQUE	0.125 N-m
RATED SPEED	4000±10% RPM
OUTPUT POWER	52.5 W
BACK EMF CONSTANT	4.1 V/KRPM
TORQUE CONSTANT	0.04 N-m/A
INSULATION CLASS	B

ELECTRICAL CONNECTION TABLE		
+5V	RED	红
HALL U	YEL	黄
HALL V	GRE	绿
HALL W	BLU	蓝
GND	GND	黑
PHASE U	YEL	黄
PHASE V	GRE	绿
PHASE W	BLU	蓝

UL1007	26 AWG
UL1007	20 AWG

REV.	QTY.	No.	SIG.	DATE
DESIGN			STD.	
CHECK				
PROC.			APPR.	

Title:		常州精控电机电器有限公司	
Specification		JK42BL S02	
DESIGN	C/S.MAK	WEIGHT	SCALE
CHECK			
PROC.	PAGE: 1/1	www.jkongmotor.com	