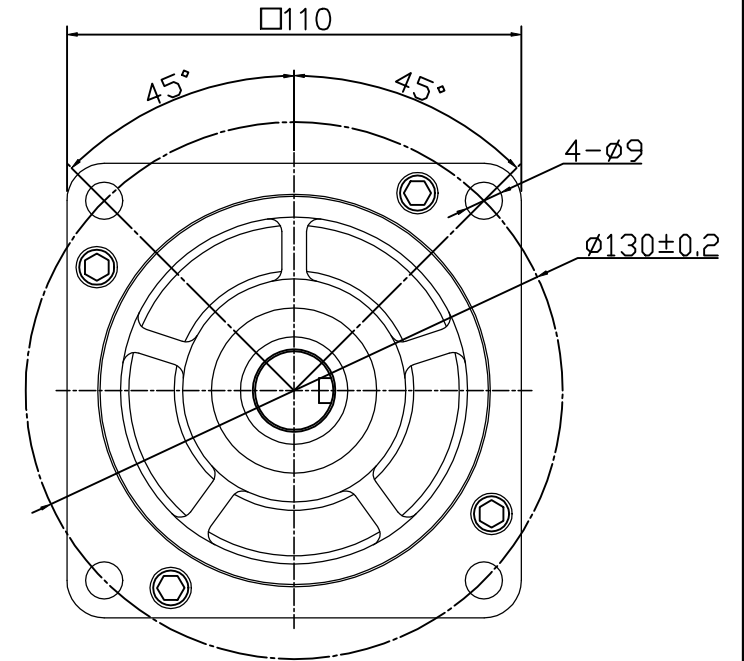
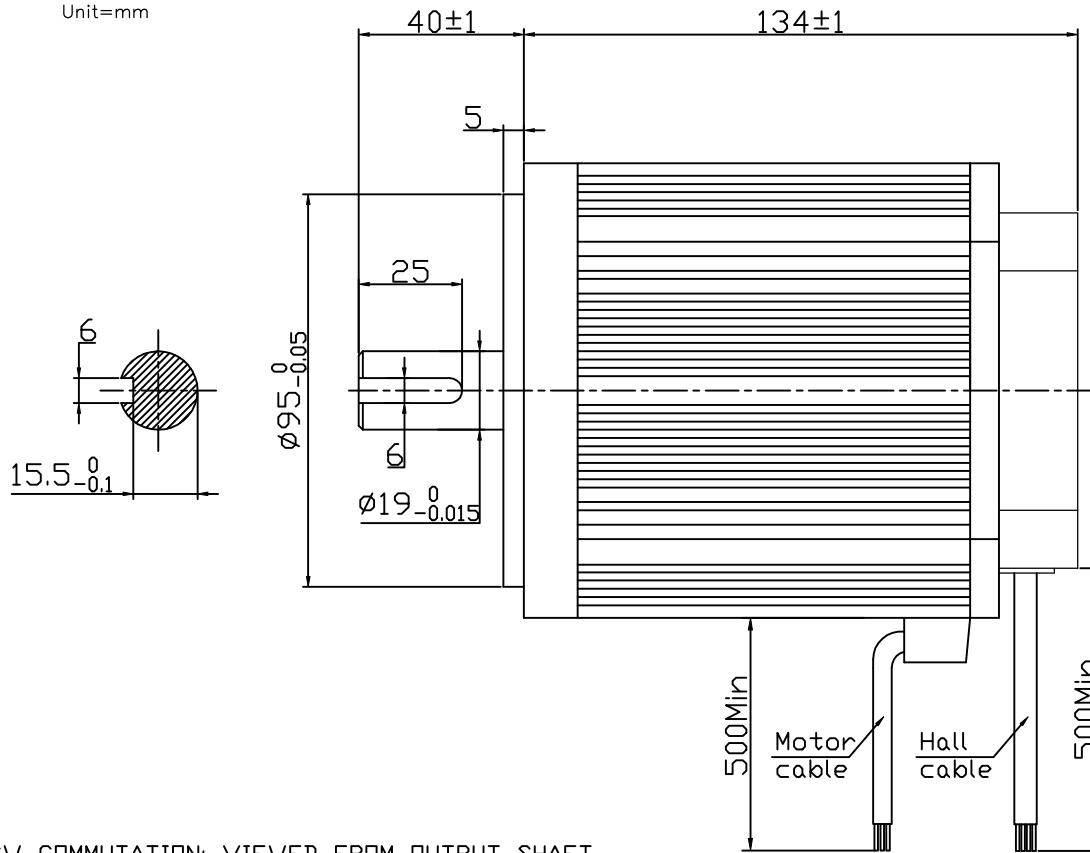
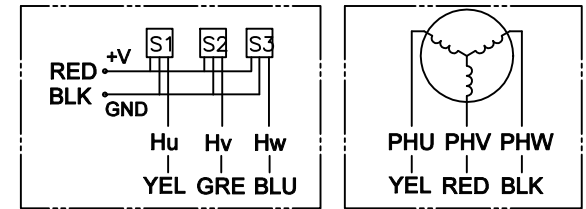


Dimension:
Unit=mm



Connection diagram:



Hall sensor cable
Note: hall sensor power supply
voltage +5 to +20VDC

Wiring cable

CW COMMUTATION: VIEWED FROM OUTPUT SHAFT

MANUFACTURER MODEL	JK110BLS50
NUMBER OF POLES	8
PHASE TO PHASE RESISTANCE	2.3 OHMS
NOMINAL VOLTAGE	310 VDC
NO LOAD SPEED	3400±10% RPM
NO LOAD CURRENT	0.5 Amps Max.
RATED TORQUE	2.38 N-m
RATED SPEED	3000±10% RPM
RATED CURRENT	2.7 Amps
OUTPUT POWER	0.75 KW
BACK EMF CONSTANT	91.1 V/KRPM
TORQUE CONSTANT	0.87 N-m/A
INSULATION CLASS	H

ELECTRICAL CONNECTION TABLE

+5V	RED	红	UL2517 26 AWG
HALL U	YEL	黄	
HALL V	GRE	绿	H05SS-F 3*1.5 mm ²
HALL W	BLU	蓝	
GND	GND	黑	
PHASE U	YEL	黄	
PHASE V	RED	红	
PHASE W	BLK	黑	

REV.	QTY.	No.	SIG.	DATE
DESIGN	WH	21.10.12	STD.	
CHECK				
PROC.			APPR.	

Title:
Specification

常州精控电机电器有限公司

JK110BLS50

CLS.MAK WEIGHT SCALE

www.jkongmotor.com

PAGE: 1/1